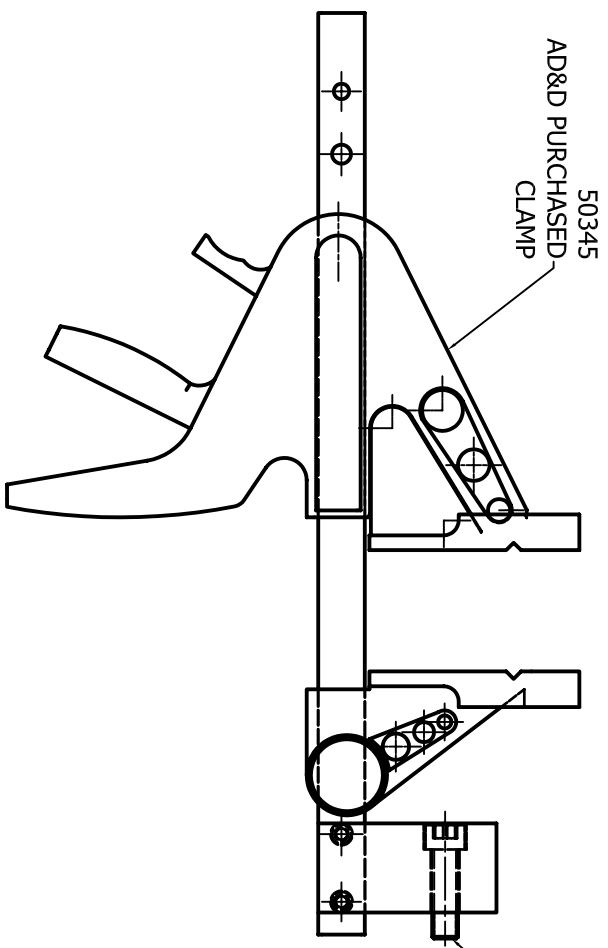
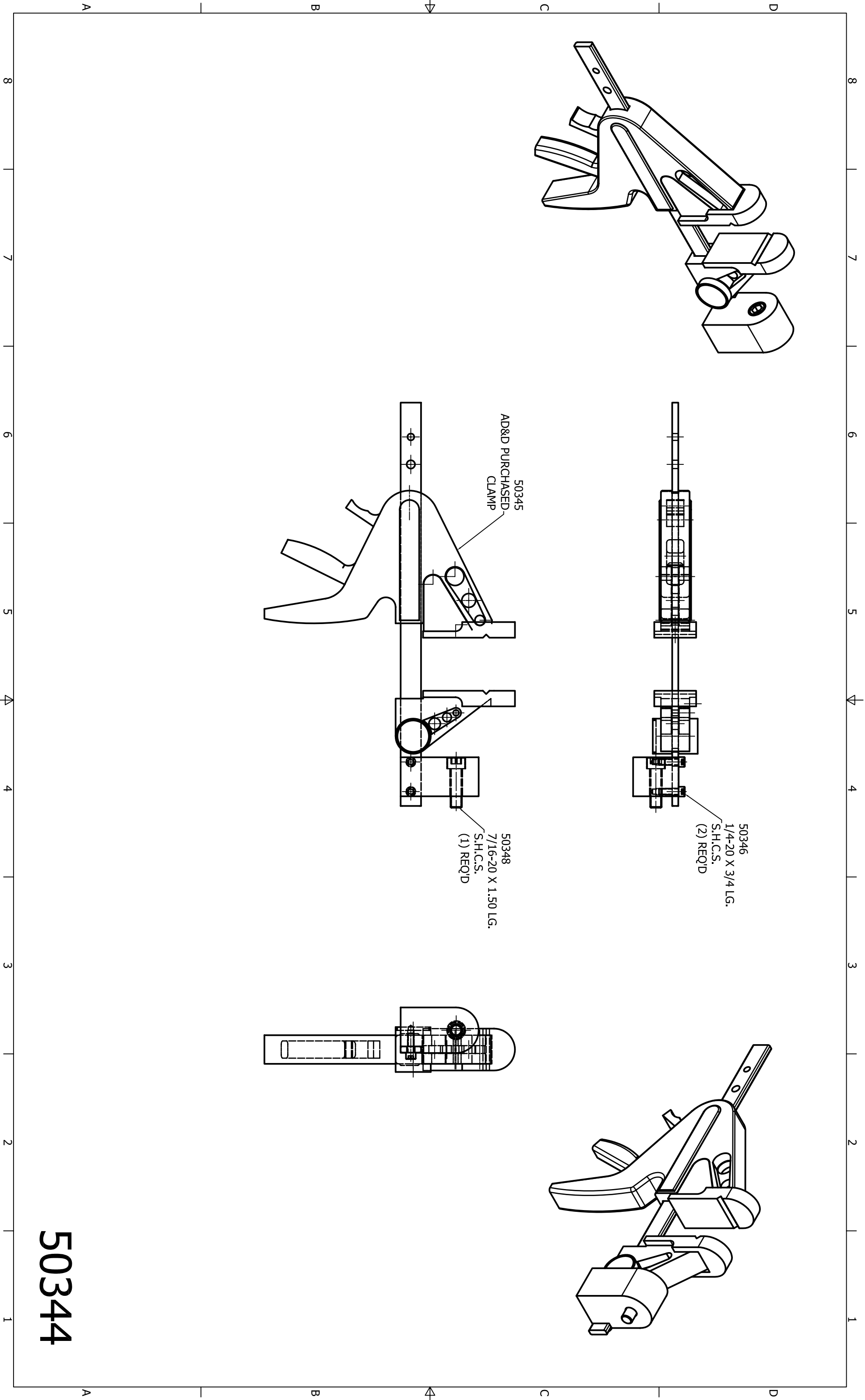
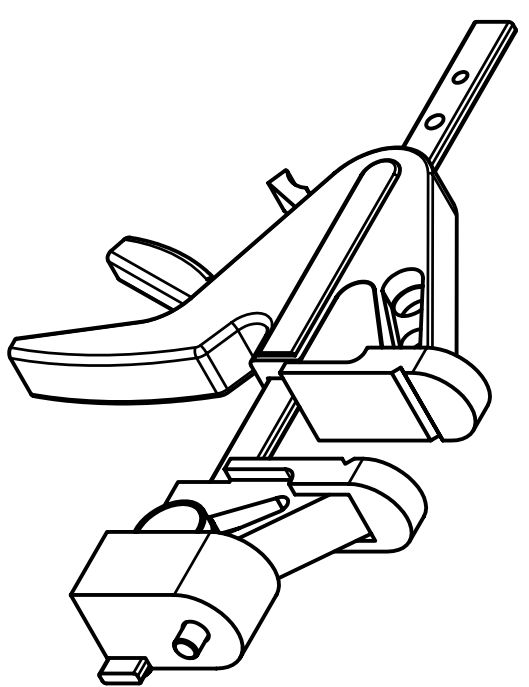
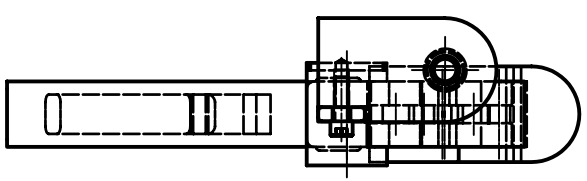


50346
1/4-20 X 3/4 LG.
S.H.C.S.
(2) REQ'D



50345
AD&D PURCHASED
CLAMP

50348
7/16-20 X 1.50 LG.
S.H.C.S.
(1) REQ'D



50344